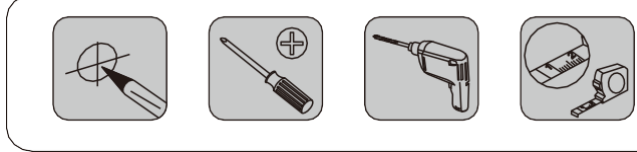
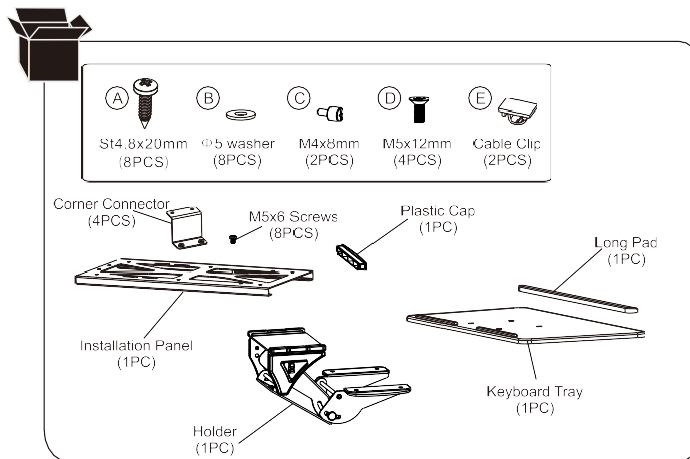
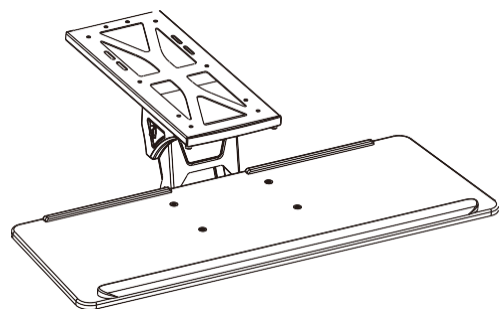


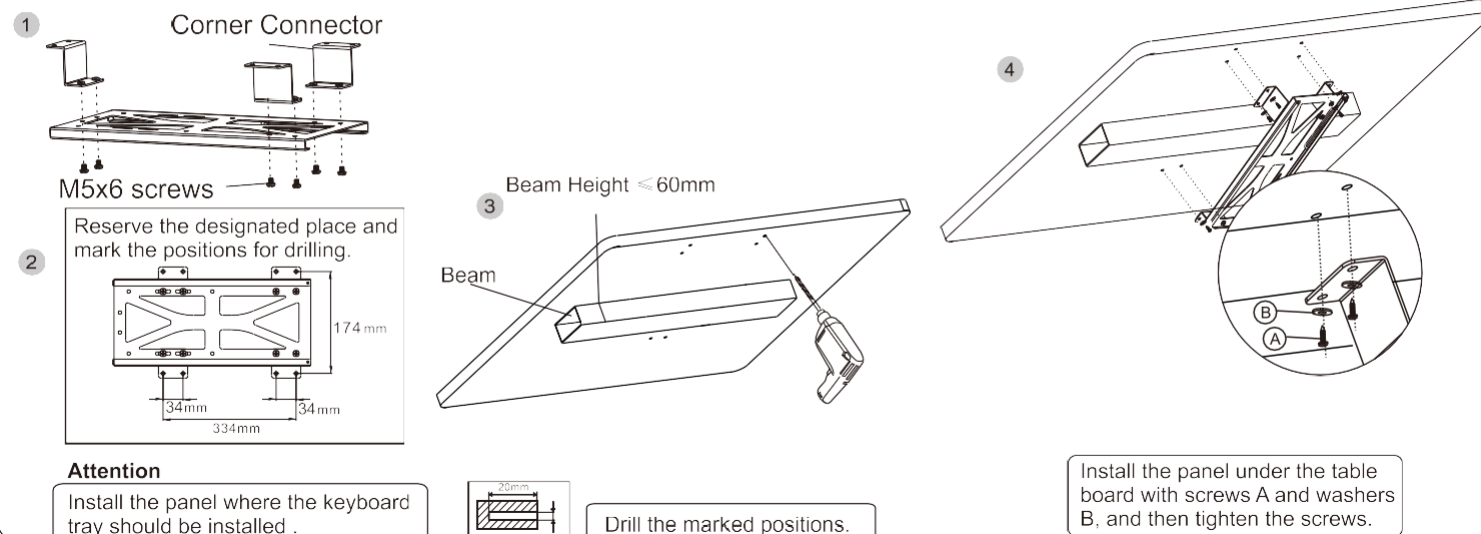
Item No.:56319

INSTRUCTIONS



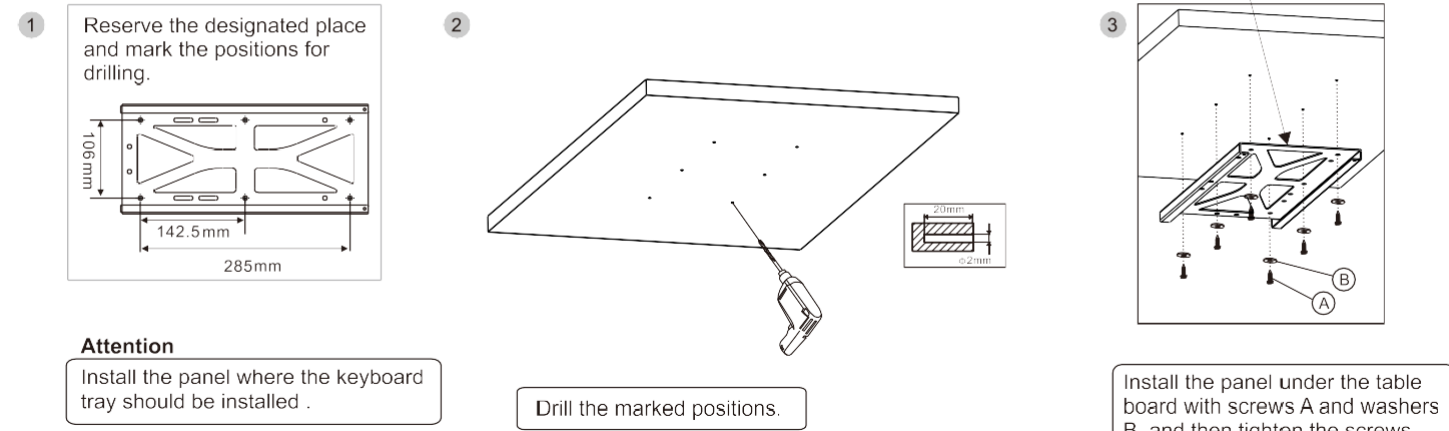
STEP 1-C

Option C: Add corner connectors to the desk bottom which has beam.



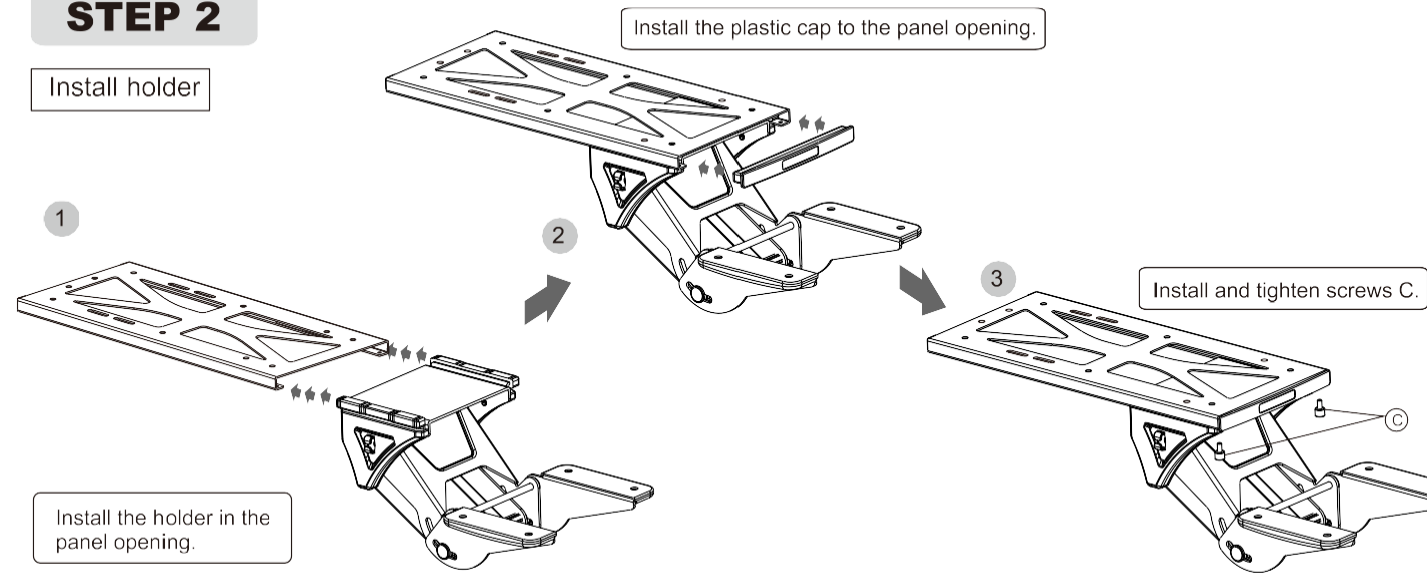
STEP 1-A

Option A: Install panel to the table board



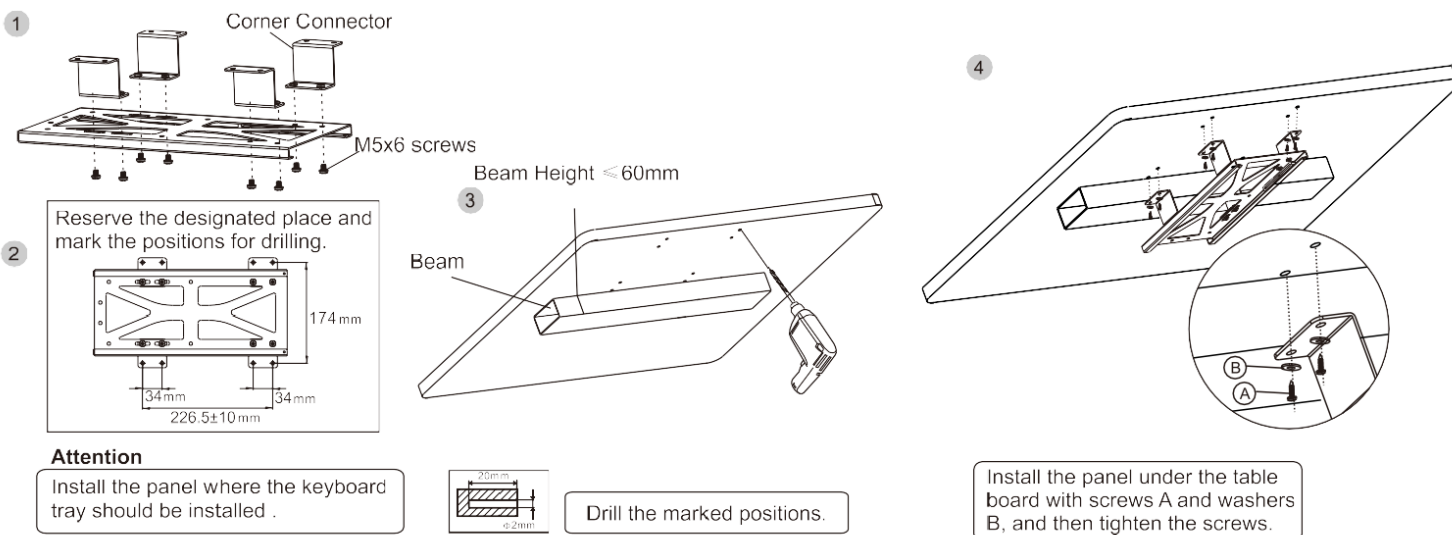
STEP 2

Install holder



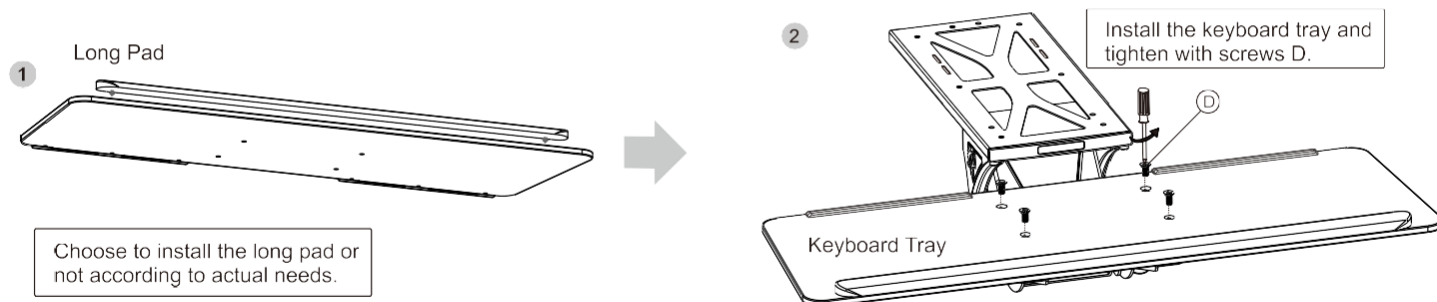
STEP 1-B

Option B: Add corner connectors to the desk bottom if required.



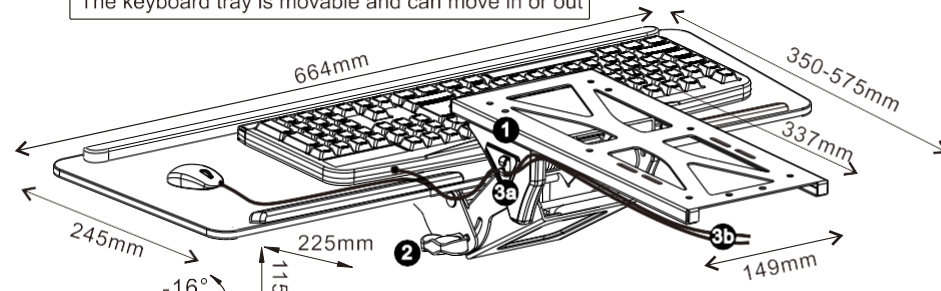
STEP 3

Install keyboard tray



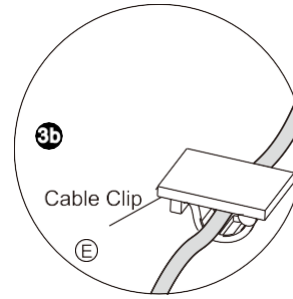
STEP 4

1 The keyboard tray is movable and can move in or out



2 Loosen the knob to adjust the height. Tilt the tray angle to set as your preference, and tighten the knob.

3a Tidy cables: Buckle mouse cable and key bus to the cable clips on the two sides.



Tidy cables: Fix the mouse cable and key bus to the table board with cable clip E.

⚠. CAUTION

This product contains small items that could be a choking hazard if swallowed . Keep these items away from young children.

- Make Sure these instructions are read and completely understood before attempting installation. If you are unsure of this installation, please contact a professional installer for assistance.
- Please check joint parts every two months and tighten the screws where required .
- Do not exceed the max loading capacity (2.2 lbs) 1 Kg when using, or it may cause product failure or persona! injury .

Note : This product is intended for indoor use. Use of this product outdoors could lead to product failure or persona! injury.