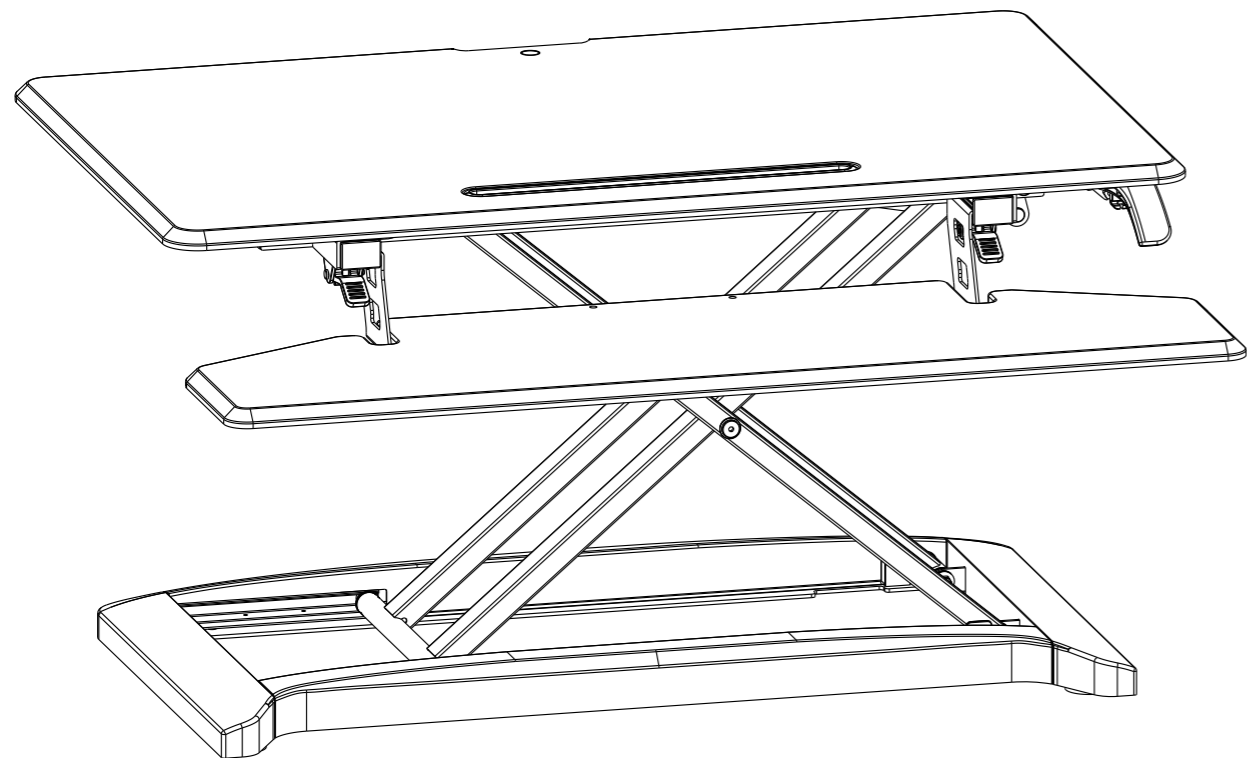
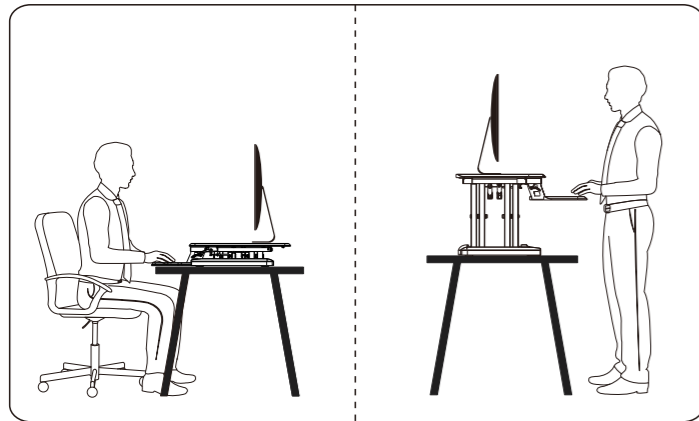


EXPONENT

SIT-STAND STATION Instructions#50900



Technical Data

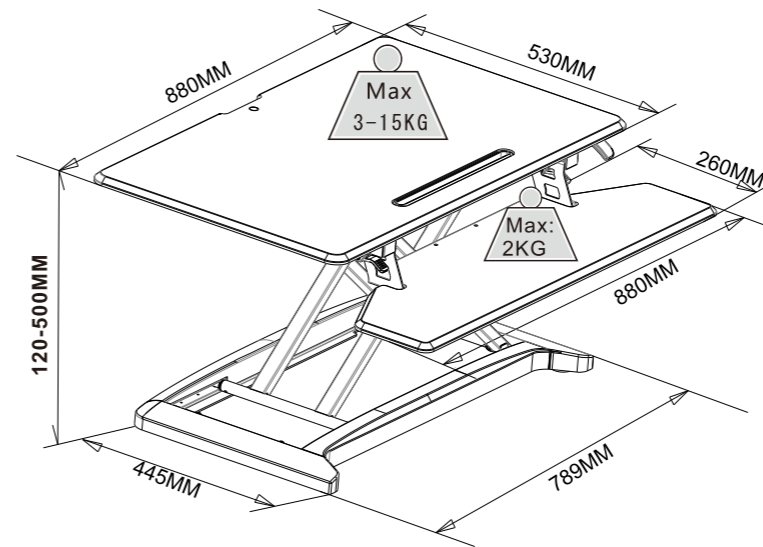
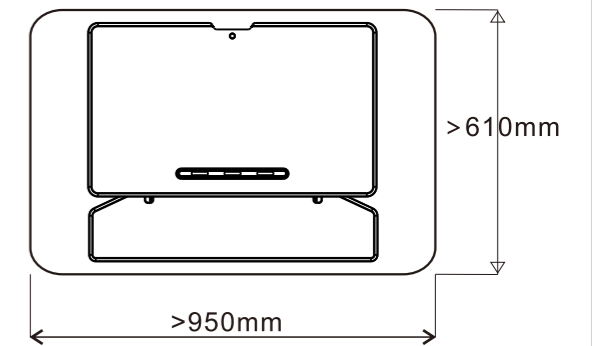
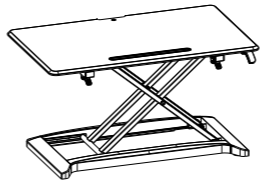
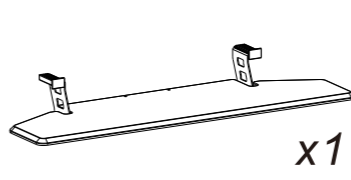

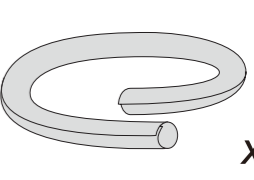


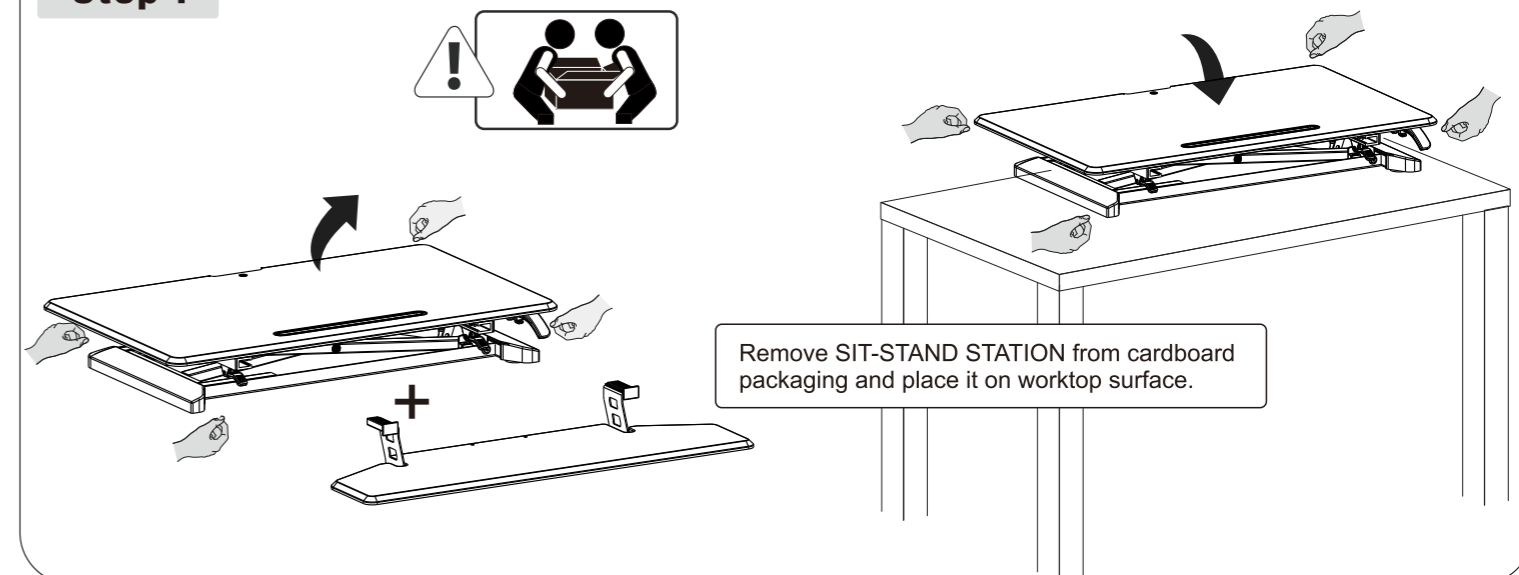
Table cover size:



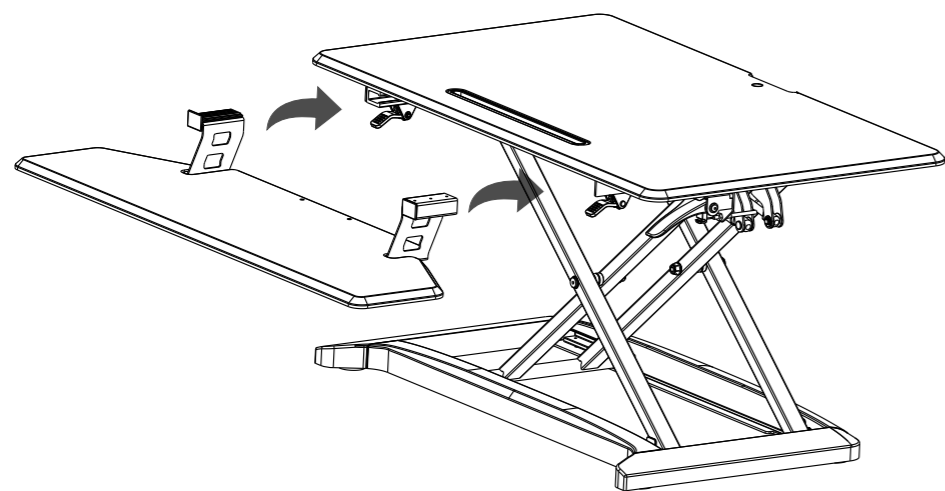
Parts list

A	B	C	D
 x1	 x1	 x4	 x1

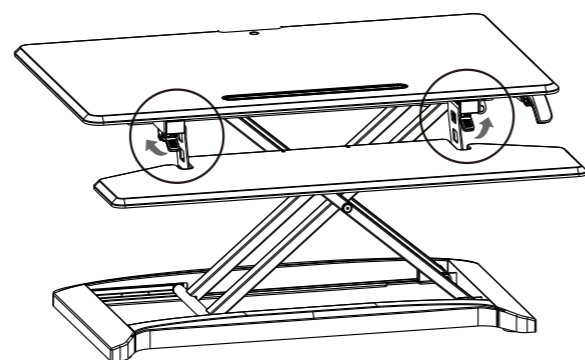
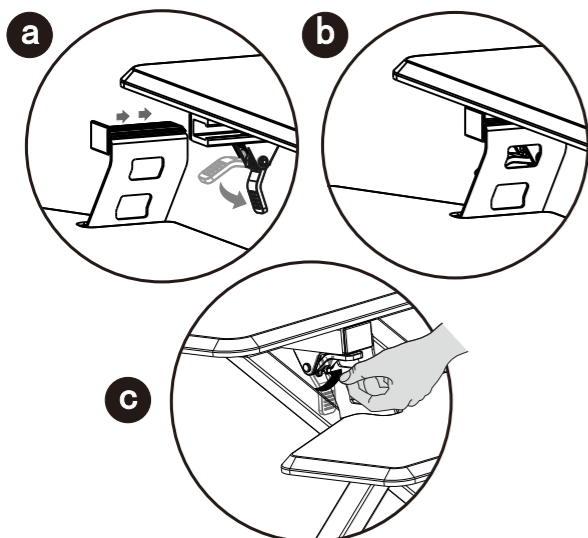
Step 1



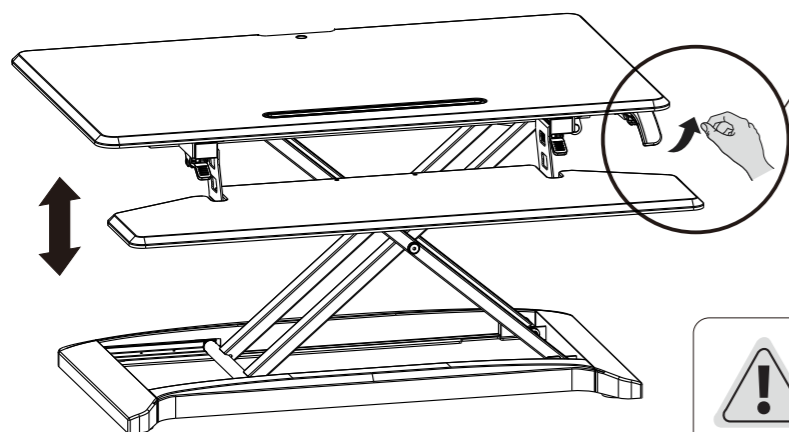
Step 2



A- Insert pre-assembled metal support of keyboard tray into
 B- pre-assembled side rails on SIT-STAND STATION top.
 C- Use latch to lock in place. (See Illustrations)



Step 3

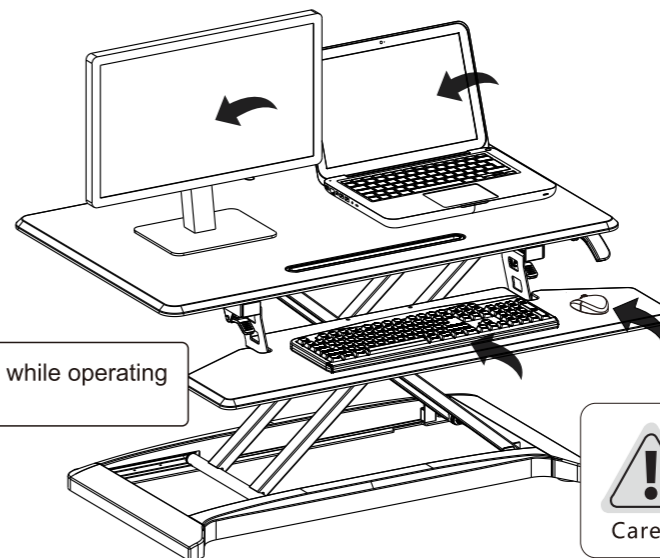


Release handle on right side of SIT-STAND STATION as illustrated to raise and lower unit.



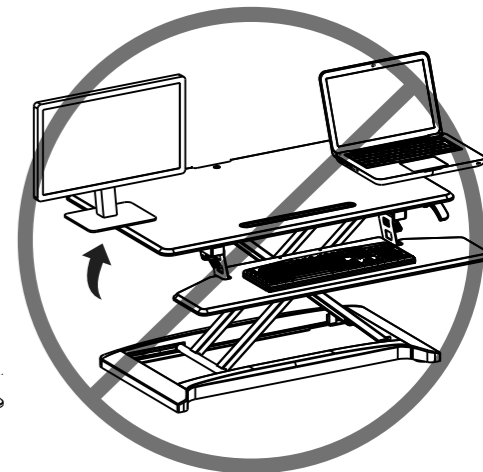
When adjusting height hold Sit-STAND STATION using both hands positioned on opposite sides of top. This will protect your back and hands from injury.

Step 4



Warning

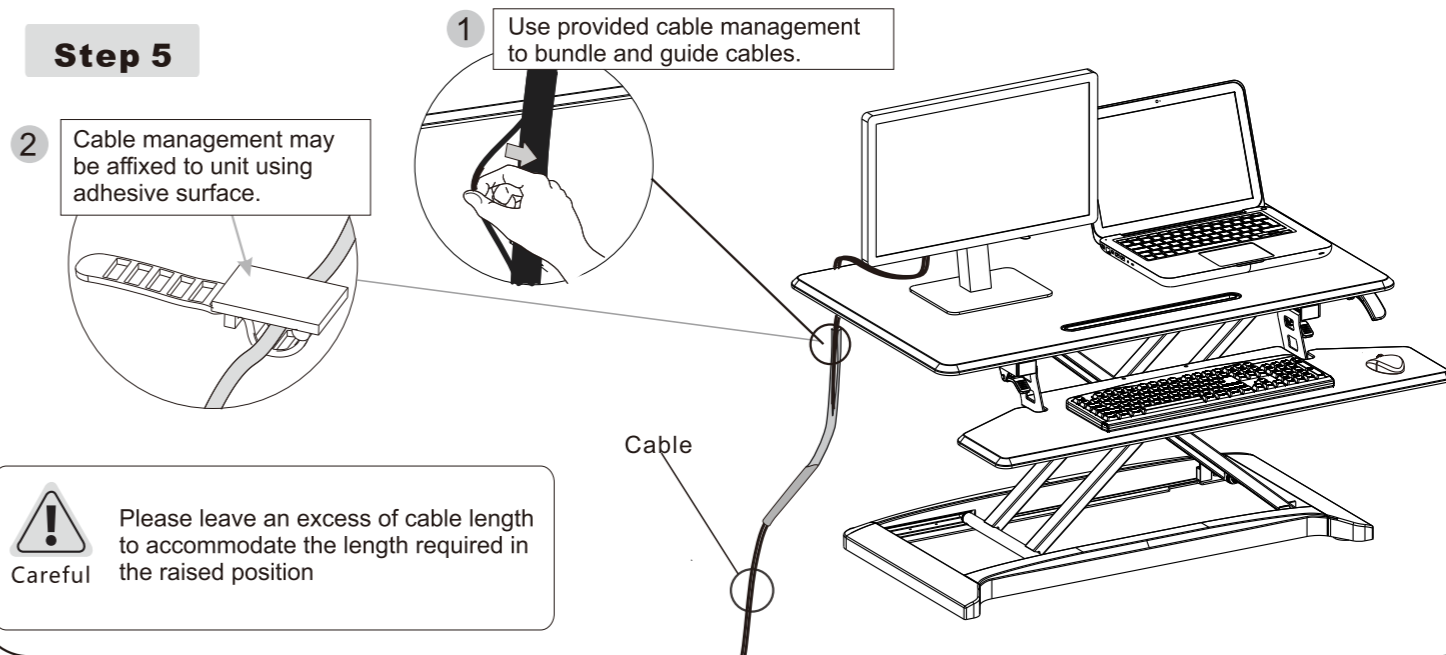
Avoid adjustment rails while operating the unit.



Careful

Please avoid unstable equipment placement. Avoid equipment overhang.

Step 5



1 Use provided cable management to bundle and guide cables.

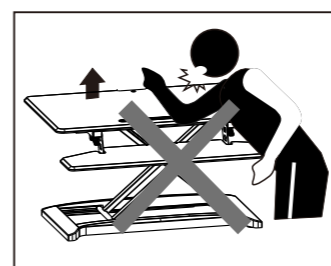
2 Cable management may be affixed to unit using adhesive surface.



Careful

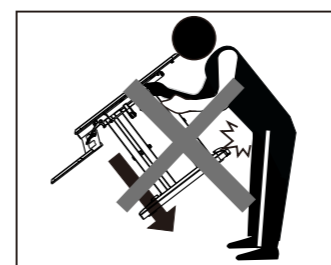
Please leave an excess of cable length to accommodate the length required in the raised position

Cable



Attention

Adjust to maximum height and remove all equipment.



Attention

To avoid injury unit should be moved by two people.